

GIOSFELT™ Clouds Acoustic Panels

Installation Instructions – Suspended 4' x 4' and 4' x 9' Panels

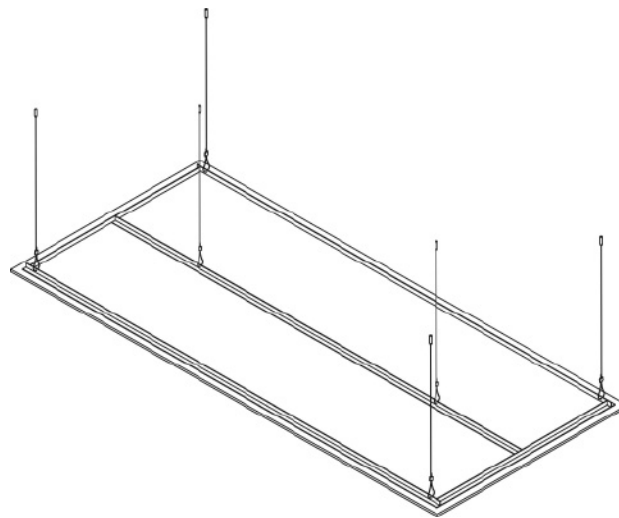
SUSPENDED PANEL ASSEMBLY HARDWARE

4' x 9' x ½" or 1" (36 sq/ft)

1" x 1" anodized aluminum pre-drilled L-bracket.

L-brackets for perimeter and center of panel only.

(21) aircraft wire sets containing: Grippler wire adjustment piece, 5' length of wire, end swage, barrel and ¼"-20 wood anchor.

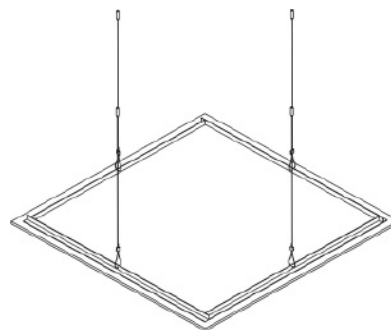


4' x 4' x ½" or 1" (16 sq/ft)

1" x 1" anodized aluminum pre-drilled L-bracket.

L-brackets for perimeter of panel only.

(12) aircraft wire sets containing: Grippler wire adjustment piece, 5' length of wire, end swage, barrel and ¼"-20 wood anchor.



GIOSFELT™ Clouds Acoustic Panels

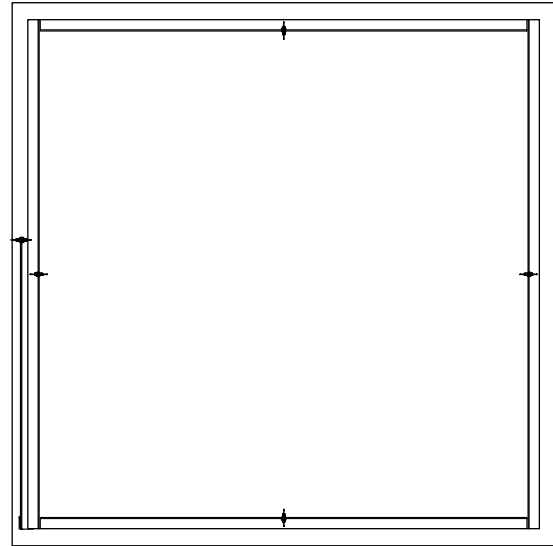
Installation Instructions – Suspended 4' x 4' and 4' x 9' Panels

SUSPENDED PANEL ASSEMBLY

1. Begin by laying out GiosFelt Panel. There will be a "face" sticker on one side of the standard panel - this side is facing down as hardware will be installed to "non-face side" of panel. For GiosFelt or GiosFelt Patterned Panels-pattern faces down for this step.

2. Locate all anodized aluminum 1" x 1" L-brackets and place over panel according to length per the parameters below.

4' x 4' Panels will have (4) L-brackets per panel and 4' x 9' Panels will have (5) L-brackets per panel. Note the size of L-brackets for each location on the panel per the diagram.



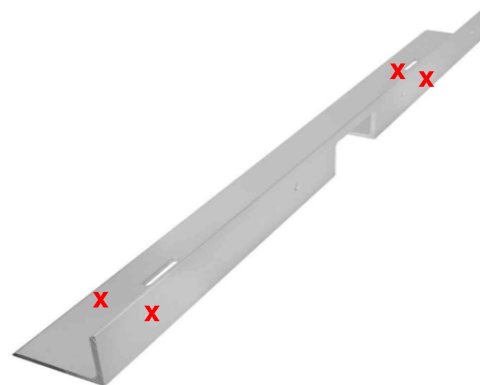
Top & Bottom L-Bracket

- 44" Long

Left & Right Side L-Brackets

- 45" long for 4' x 4' panel
- 105" long for 4' x 9' panel

3. Once L-bracket placement has been determined according to panel overall dimensions locate pre-drilled holes on L-brackets. These holes will be spaced 24" apart on center and are located on all ends of each L-bracket piece. There will be holes located on the L-bracket parallel to the "non-face side" of the panel and also the adjacent side of the L-bracket, that is perpendicular to the "non-face side of the panel" (shown with red X's)

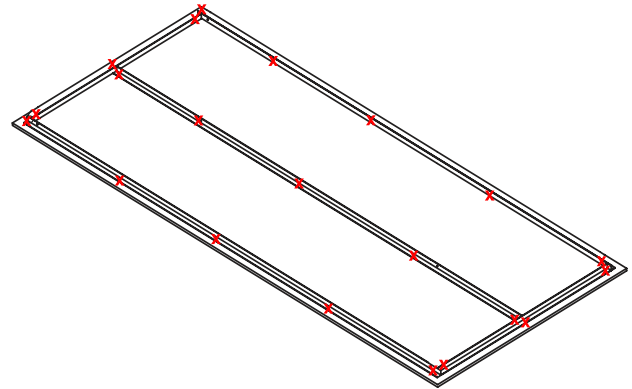


GIOSFELT™ Clouds Acoustic Panels

Installation Instructions – Suspended 4' x 4' and 4' x 9' Panels

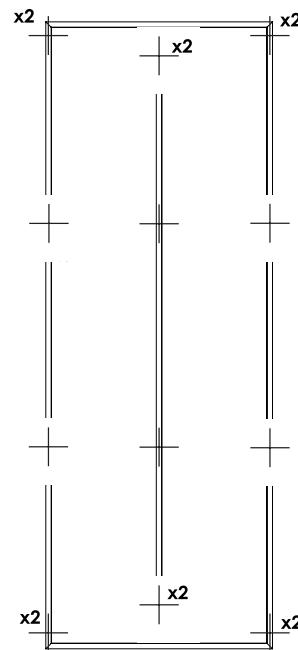
4. Attach L-brackets in proper locations using ¼" #8 screws (sourced by installer). Screw L-brackets directly onto "non-face side" of panel in the locations below (see red X's).

There will be (12) locations per 4' x 4' panel and (21) locations per 4' x 9' panel.



PANEL SUSPENSION

5. Template the (12) or (21) suspension points (depending on panel dimensions) and transfer to ceiling substrate.

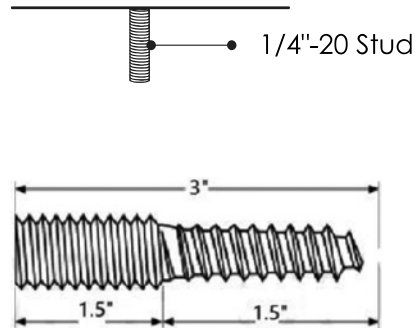


REFLECTED CEILING PLAN VIEW

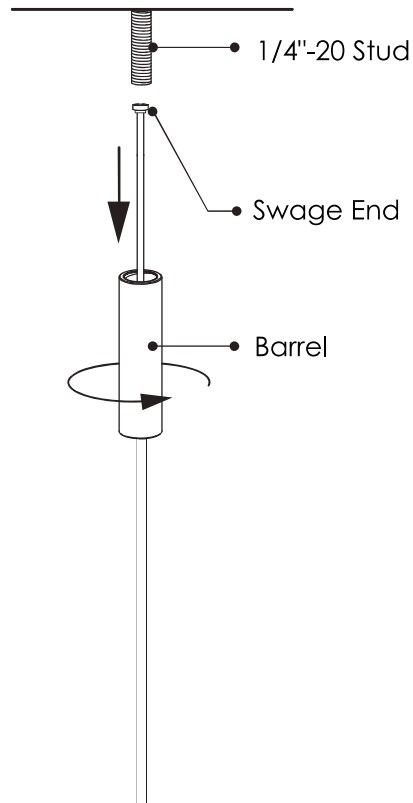
GIOSFELT™ Clouds Acoustic Panels

Installation Instructions – Suspended 4' x 4' and 4' x 9' Panels

6. After identifying each corresponding suspension point on the ceiling substrate, drill and attach 1/4"-20 double sided stud to substrate. Reference detail (supplied for wood anchoring only). For all other substrates studs/ anchors must be sourced by the installer.



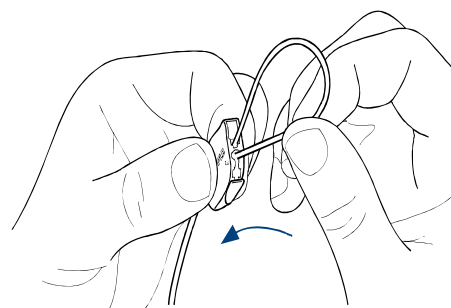
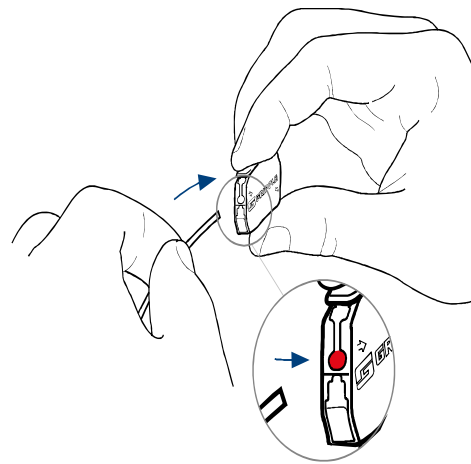
7. **A.** Identify the threaded end of the barrel and the swage end of the wire.
- B.** Insert the plain end of the supplied wire through the large threaded end of the barrel until the swage end is seated in the barrel.
- C.** Attach the threaded end of the barrel to 1/4"-20 ceiling stud.



GIOSFELT™ Clouds Acoustic Panels

Installation Instructions – Suspended 4' x 4' and 4' x 9' Panels

8. **A.** Insert the plain end of the supplied wire through one side of the Gripper adjustment piece.
- B.** Loop the wire through the pre-drilled suspension points for final installation.
- C.** Re-insert the plain end of the wire once looped into the remaining side of the Gripper adjustment piece until secure.



9. Once the panel is properly suspended, trim the access wire (if necessary) with wire cutters.

Note: Gripper is infinitely adjustable by depressing tab on appropriate side.

