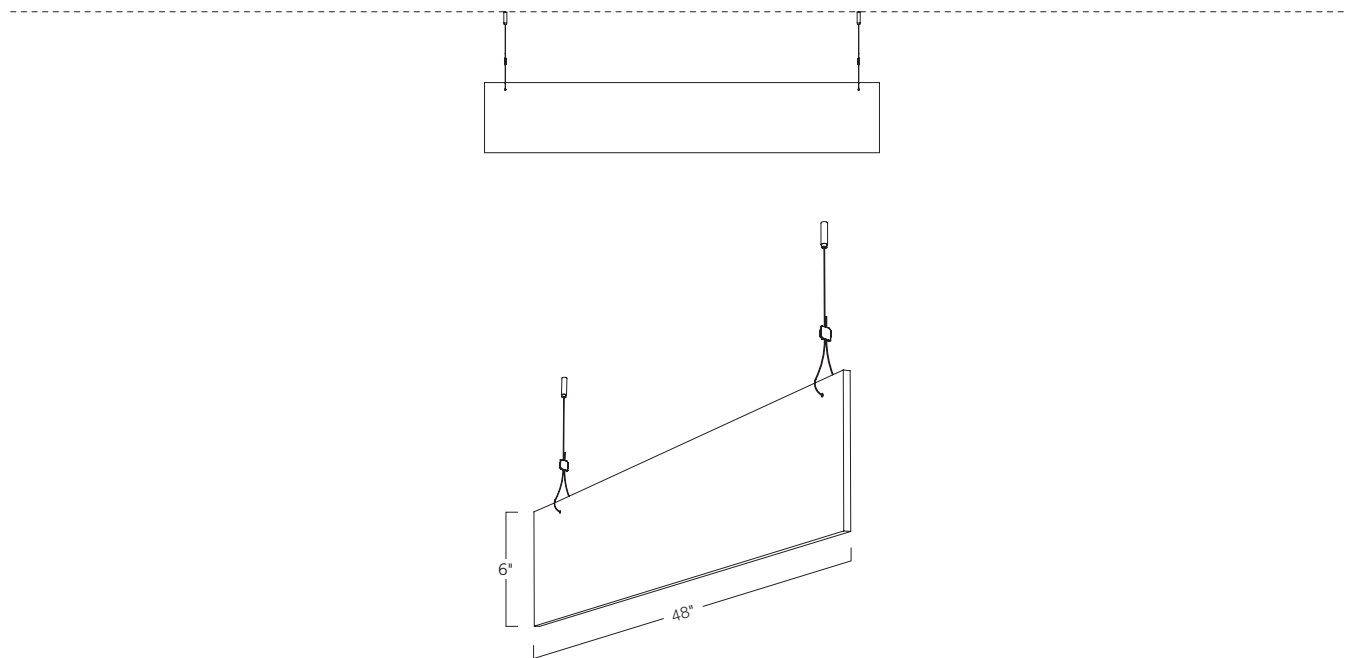


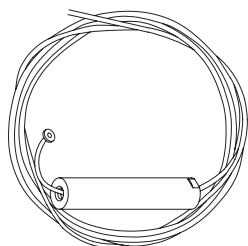
48" x 6" FINISHED ASSEMBLY



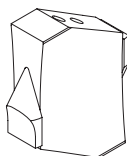
PARTS LIST



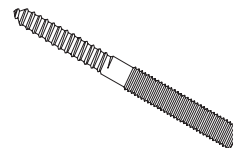
GiosFelt Baffle (1)



Cable Set (2)



Adjustable Fastener (2)

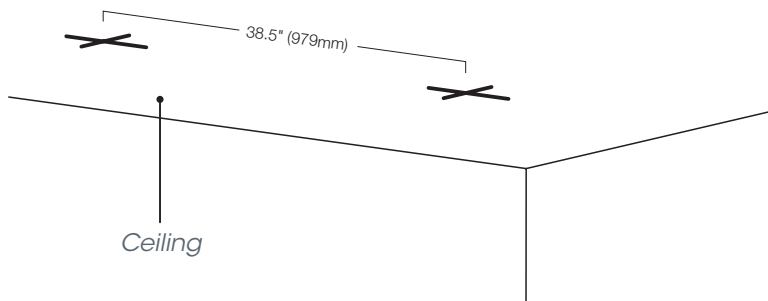


1/4 - 20
Hanger Bolts (2)

CEILING SUSPENSION STEPS

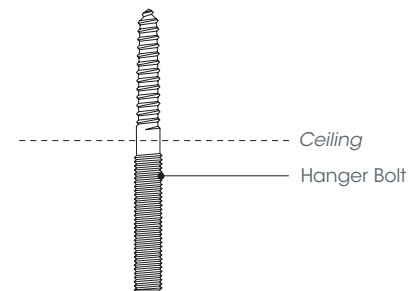
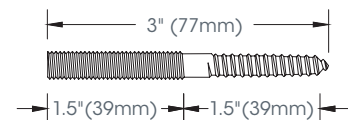
- 1) Determine the ceiling suspension points for the Baffle.
Two points for each baffle are required.

Once the suspension points for the Baffle have been selected, identify the corresponding points on the ceiling.

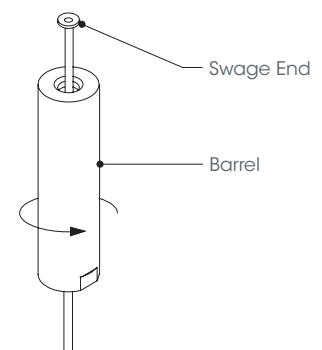


- 2) Install the hanger bolts to the ceiling suspension points.

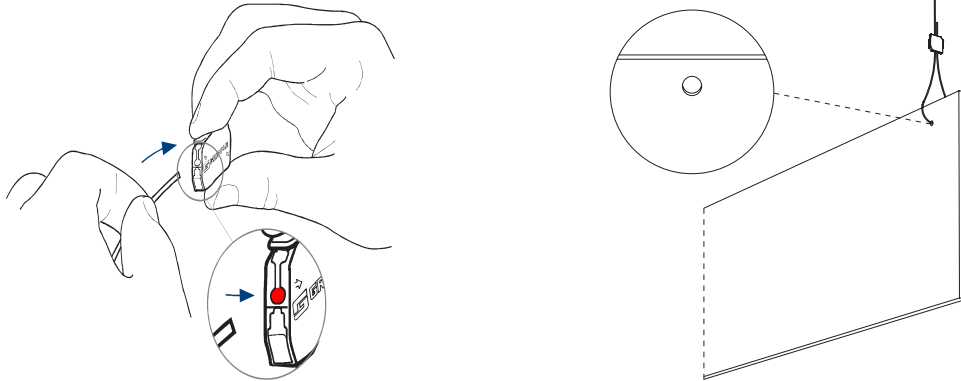
The supplied hanger bolts are intended for use in wood only. Appropriate hardware will need to be sourced for other substrates.



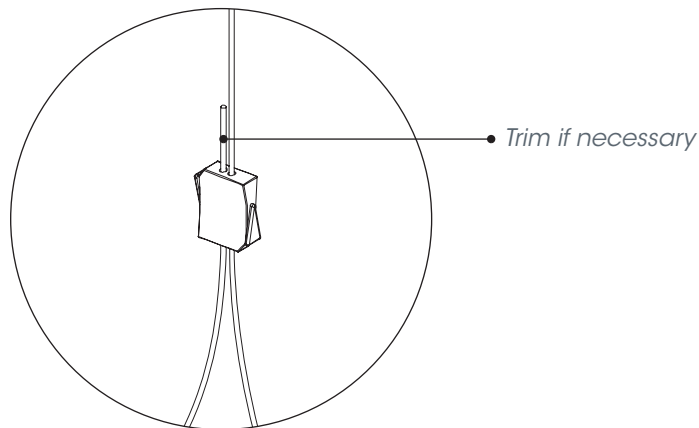
- 3) Identify the threaded end of the barrel and the swage end of the cable. Insert the plain end of the wire through the large threaded end of the barrel until it is fully seated in the barrel. Attach the threaded end of the barrel to the hanger bolt.



- 4) Insert the plain end of the cable through one side of the adjustable fastener. Loop wire through each of the 2 predrilled holes located on the baffle and thread through the remaining side of the adjustable fastener. Tighten to position as required.



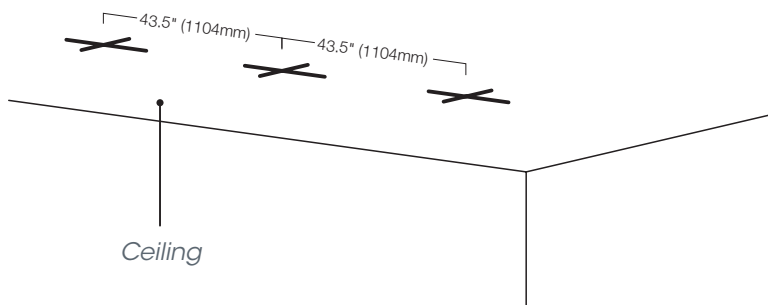
- 5) Adjust the cable by depressing tab on the fastener. Once the Baffle is properly suspended, trim any excess cable.



CEILING SUSPENSION STEPS

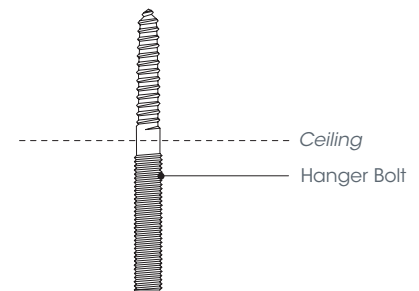
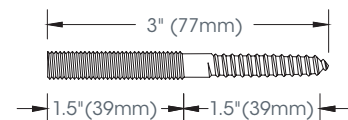
- 1) Determine the ceiling suspension points for the Baffle.
Three points for each baffle are recommended.

Once the suspension points for the Baffle have been selected, identify the corresponding points on the ceiling.

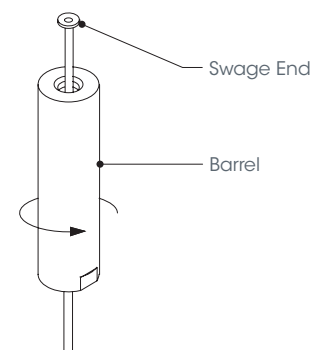


- 2) Install the hanger bolts to the ceiling suspension points.

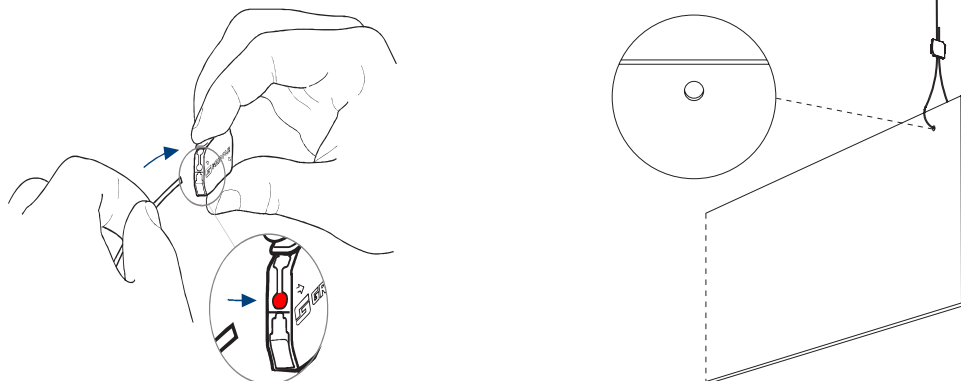
*The supplied hanger bolts are intended for use in wood only.
Appropriate hardware will need to be sourced for other substrates.*



- 3) Identify the threaded end of the barrel and the swage end of the cable. Insert the plain end of the wire through the large threaded end of the barrel until it is fully seated in the barrel. Attach the threaded end of the barrel to the hanger bolt.



- 4) Insert the plain end of the cable through one side of the adjustable fastener. Loop wire through each of the 3 predrilled holes located on the baffle and thread through the remaining side of the adjustable fastener. Tighten to position as required.



- 5) Adjust the cable by depressing tab on the fastener. Once the Baffle is properly suspended, trim any excess cable.

