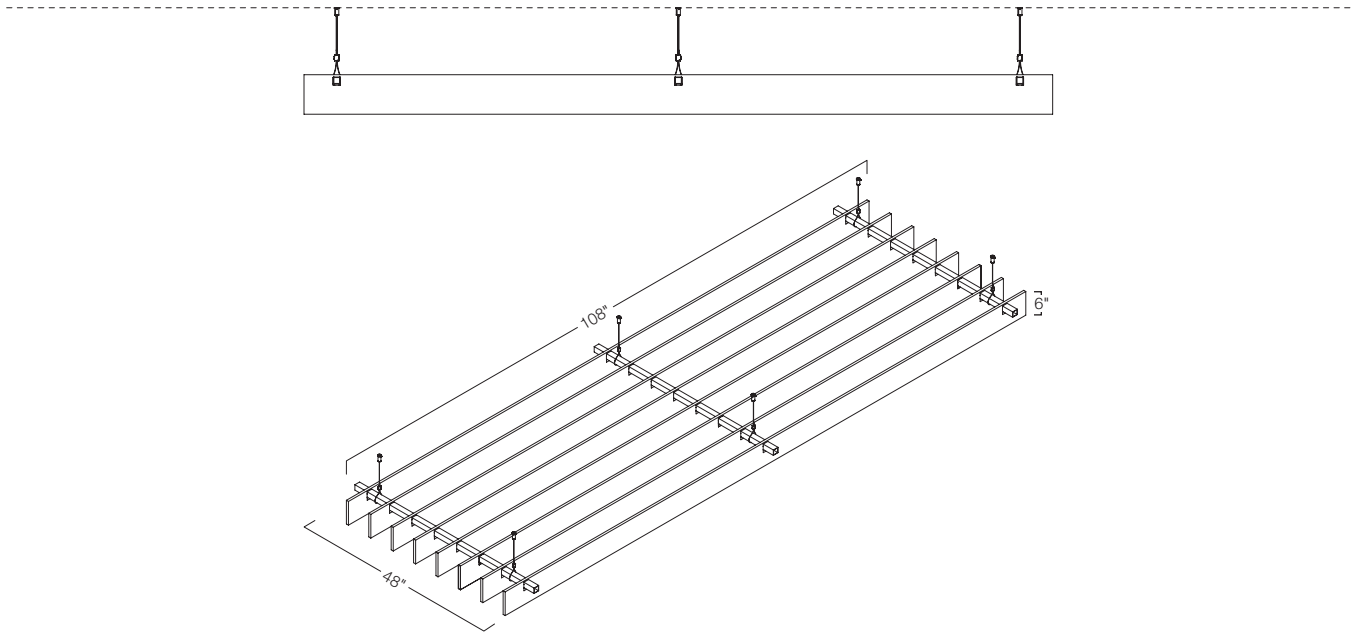


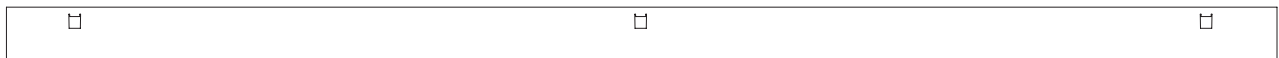
108" x 48" FINISHED ASSEMBLY



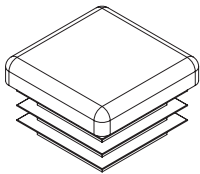
PARTS LIST



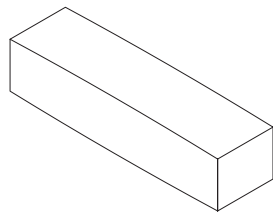
1" x 1" (25mm x 25mm) Aluminum Square Suspension Rods (3)



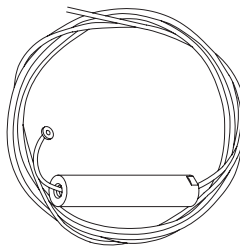
GiosFelt Baffles (8)



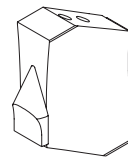
End Caps (6)



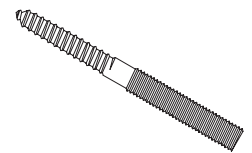
Connectors (3)



Cable Set (6)



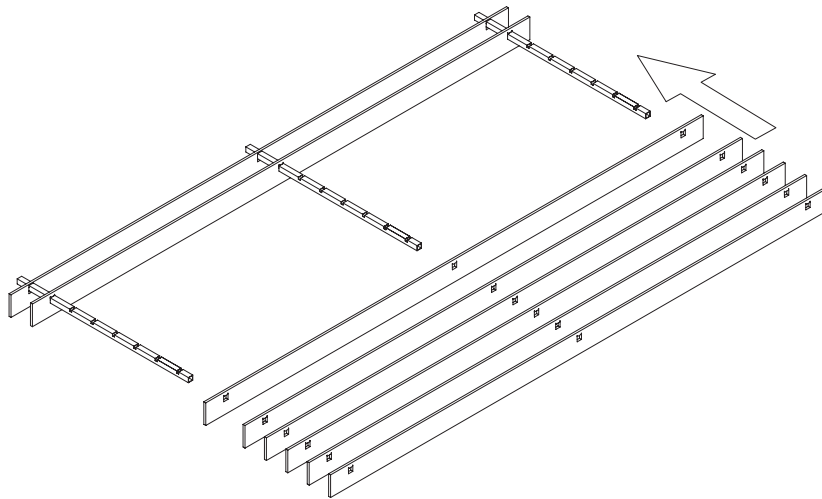
Adjustable Fastener (6)



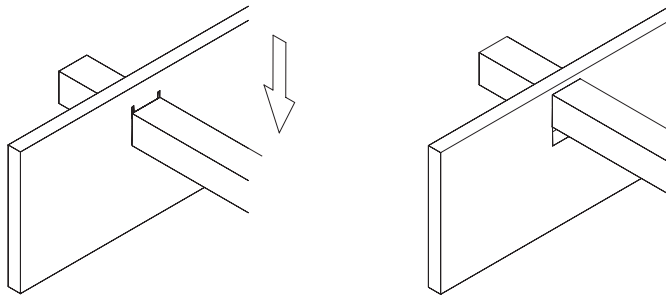
1/4" - 20
Hanger Bolts (6)

ASSEMBLY STEPS

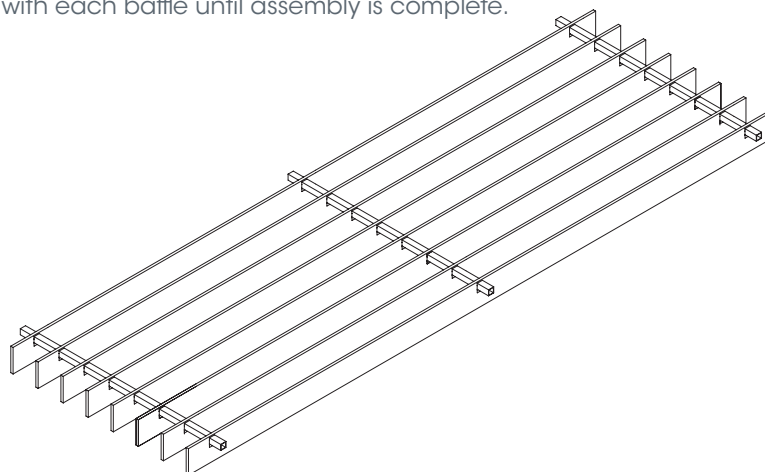
1) Thread baffle onto the square suspension rods.



2) Lock baffle in place by pushing down into notch until fully seated.

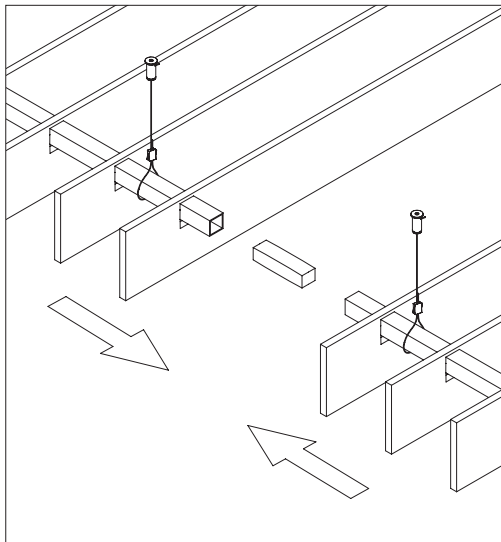


3) Repeat steps 1 & 2 with each baffle until assembly is complete.



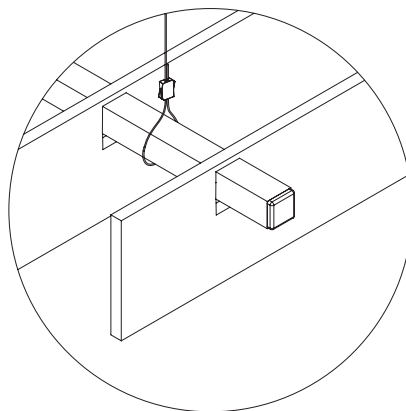
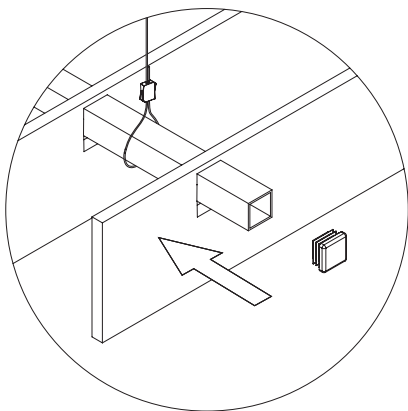
CONNECTING MULTIPLE ASSEMBLIES

Insert connectors into open ends of the suspension rods and push assemblies together.



CAPPING DETAIL

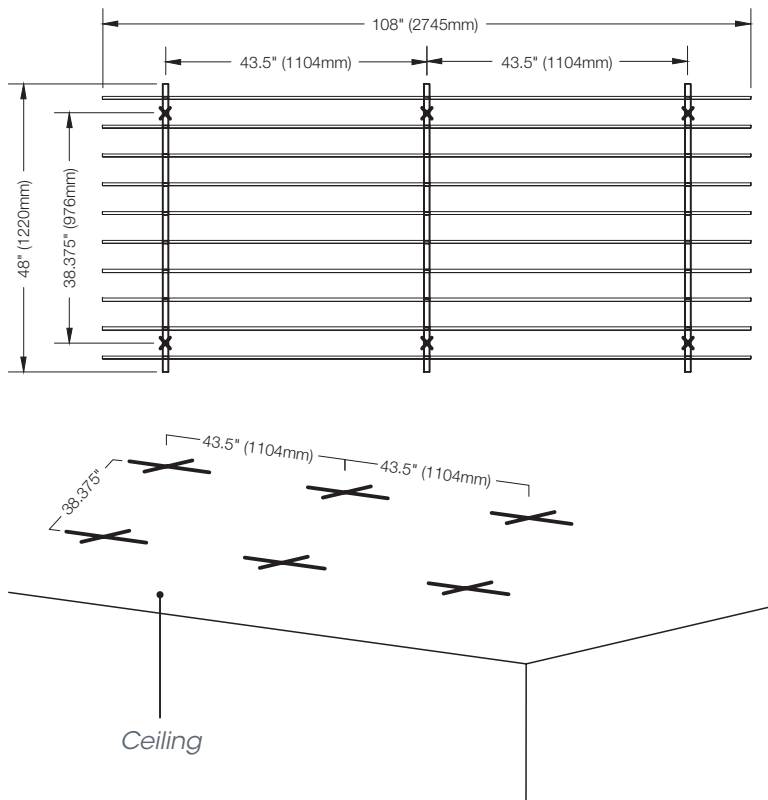
Cap ends of the suspension rods by inserting end caps provided.



CEILING SUSPENSION STEPS

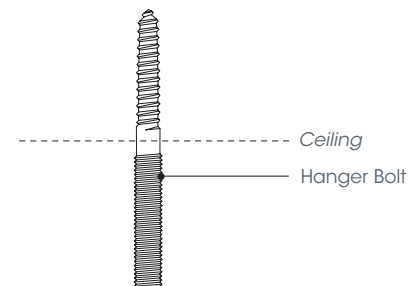
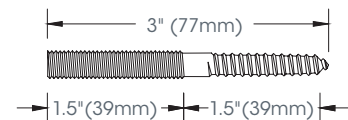
- 4) Determine the ceiling suspension points for the Baffle System.
Three points for each suspension rod are recommended.

Once the suspension points on the Baffle System have been selected, identify the corresponding points on the ceiling.

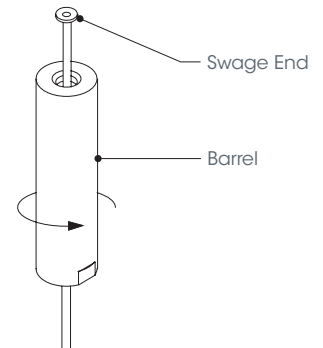


- 5) Install the hanger bolts to the ceiling suspension points.

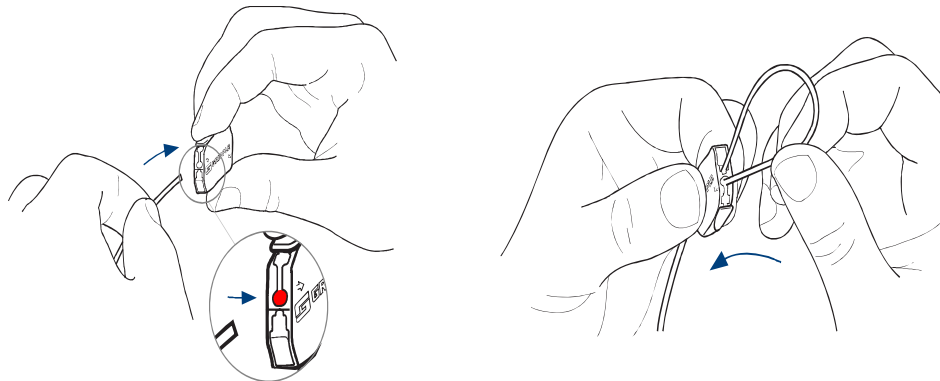
*The supplied hanger bolts are intended for use in wood only.
Appropriate hardware will need to be sourced for other substrates.*



- 6) Identify the threaded end of the barrel and the swage end of the cable. Insert the plain end of the wire through the large threaded end of the barrel until it is fully seated in the barrel. Attach the threaded end of the barrel to the hanger bolt.



- 7) Insert the plain end of the cable through one side of the adjustable fastener. Loop the wire around the square suspension rods at the predetermined locations. Re-insert the plain end of the cable through the remaining side of the adjustable fastener.



- 8) Adjust the cable by depressing tab on the fastener. Once the Baffle System is properly suspended, trim any excess cable.

